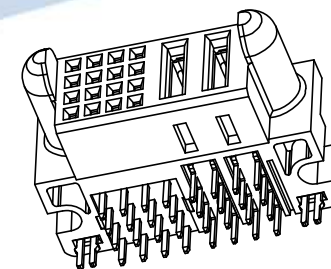
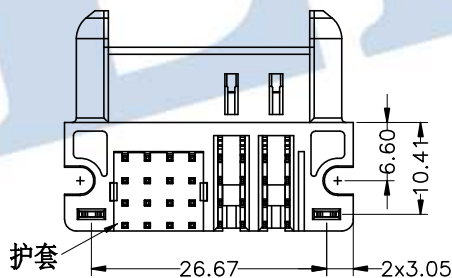
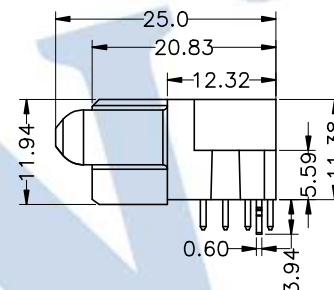
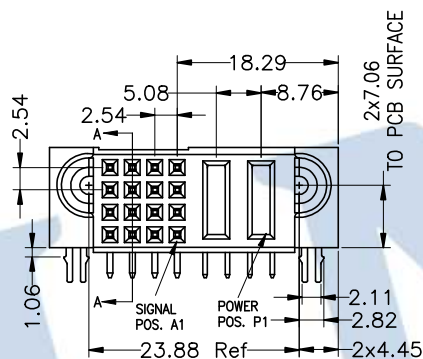
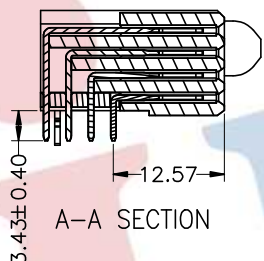
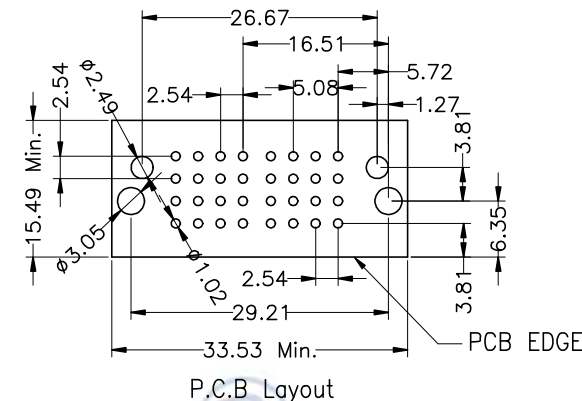
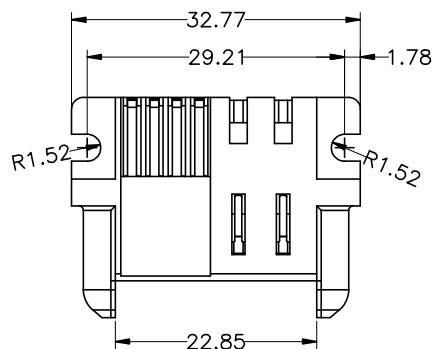


HSF RoHS

SPECIFICATIONS

Signal Rated Current:2.5AMP
 Power Rated Current:30AMP
 Signal Rated Voltage:50V AC
 Power Rated Voltage:250V AC
 Signal Contact Resistance:20mΩ Max
 Power Contact Resistance:2mΩ Max
 Signal Contact Withstand Voltage:1000V AC For 1 Minute
 Power Contact Withstand Voltage:2500V AC For 1 Minute
 Insulation Resistance:1000MΩ Min
 Operation Temperature:-40°C to +105°C

Power Contact Material:Copper Alloy
 Signal Contact Material:Copper Alloy
 Contact Plating:Au or Sn Over Ni
 PEG Material:Copper Alloy
 PEG Plating:Tin Over Ni
 Insulator Material:PA6T(UL94V-0)
 Max.Processing Temp: 260°C±5°C For 5~10 Second



Ordering Information

4500 - 18 F XX C R X 0X

No. of Pins: 16S+2P
 Contact Type: M:Male, F:Female
 Contact Plating: S1:3u" Gold/Tin, S2:5u" Gold/Tin
 Insulator Material Option: C=BK-PA6T
 Packing: A:Tray, T:Tube

| | | | | | | | | | | | | |
|-----|------------|--------------------------|--|-----------|-------|---------|-----------|----------|--|-----|---|--|
| | | | | OPERATION | | DRAW | YiYuSheng | 18.08.26 | SCALE | FIT | JILN ® 深圳市锦凌电子有限公司 SHENZHEN JINLING ELECTRONICS CO.,LTD Tel: 86-755-27483253 Fax: 86-755-2997-5588 | |
| | | | | X.X | ±0.30 | | | | UNIT | mm | | |
| | | | | X.XX | ±0.20 | CHECK | SIZE | A4 | | | | |
| | | | | X.XXX | ±0.10 | APPROVE | SHEET | 1/1 | | | | |
| A0 | 2018.08.26 | NEW DRAWING | | Angle | ±3° | | | PROJ. | PART NO. 4500-18FXXCRX0X TITLE: HCP 16S+2P 电源座 弯母 | | | |
| REV | DATE | MODIFICATION DESCRIPTION | | DIM | TOL | | | | | | | |