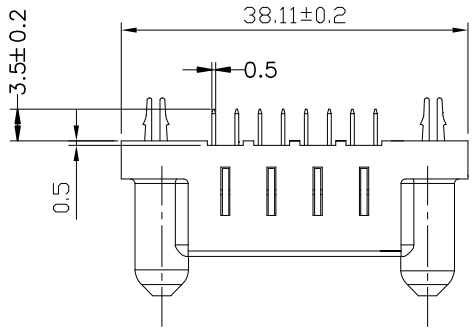


**HSF RoHS**

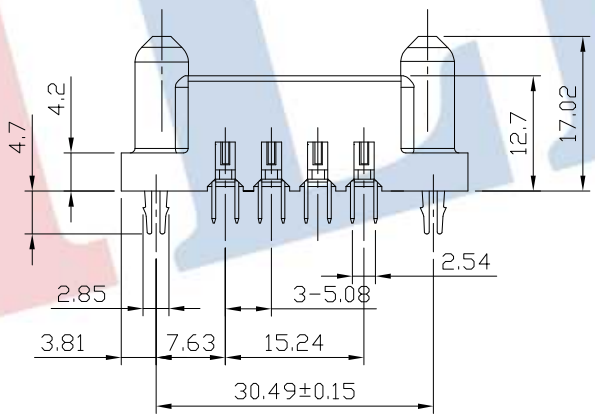
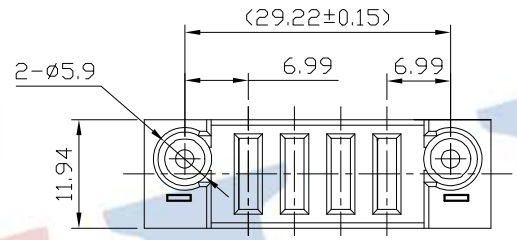
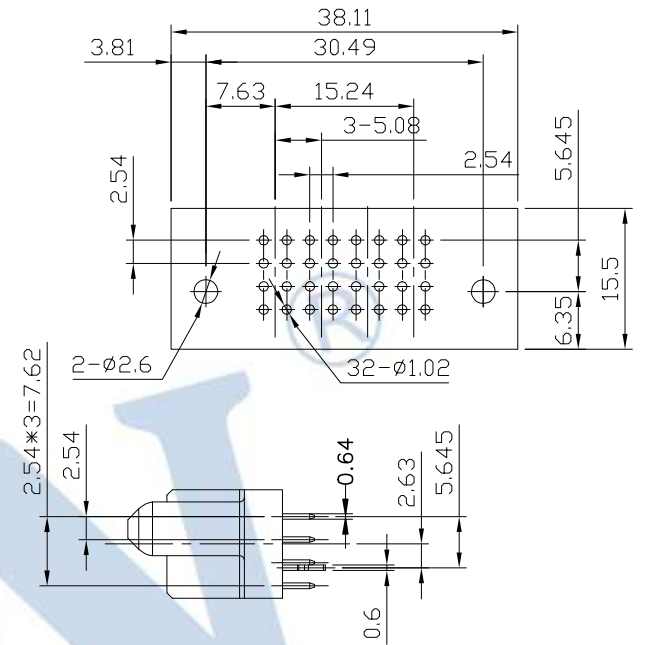
**SPECIFICATIONS**

Power Rated Current:30AMP  
 Power Rated Voltage:250V AC  
 Power Contact Resistance:2mΩ Max  
 Power Withstand Voltage:2500V AC For 1 Minute  
 Insulation Resistance:1000MΩ Min  
 Operation Temperature:-40°C to +105°C

Power Contact Material:Copper Alloy  
 Contact Plating:Au or Sn Over Ni  
 PEG Material:Copper Alloy  
 PEG Plating:Tin Over Ni  
 Insulator Material:PA6T(UL94V-0)  
 Max.Processing Temp: 260°C±5°C For 5~10 Second



Recommended P.C.B Layout(Top Side)  
 (PCB BOARD TOLERANCE±0.05)



**Ordering Information**

**4500 - 04 F XX C S X XX**

No. of Pins: 4P  
 Contact Type: M:Male, F:Female  
 Contact Plating: S1:3u"Gold/Matte-Tin, S2:5u"Gold/Matte-Tin  
 Insulator Material Option: C=BK-PA6T  
 Packing: A:Tray  
 Code Stream

OPERATION		DRAW	YiYuSheng	19.04.26
X.X	±0.30			
X.XX	±0.20	CHECK		
X.XXX	±0.10			
Angle	±3°	APPROVE		
DIM	TOL			

SCALE	FIT
UNIT	mm
SIZE	A4
SHEET	1/1
PROJ.	

**JILN**® 深圳市锦凌电子有限公司  
 SHENZHEN JINLING ELECTRONICS CO.,LTD  
 Tel: 86-755-27483253 Fax: 86-755-2997-5588

A0	2019.04.26	NEW DRAWING	
REV	DATE	MODIFICATION DESCRIPTION	CHANGE

PART NO.	4500-04FXXCSXXX
TITLE:	HCP 4P 电源座 直母