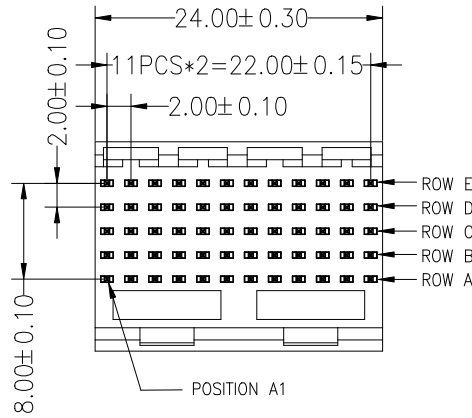




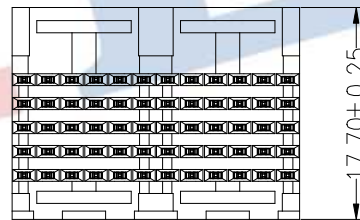
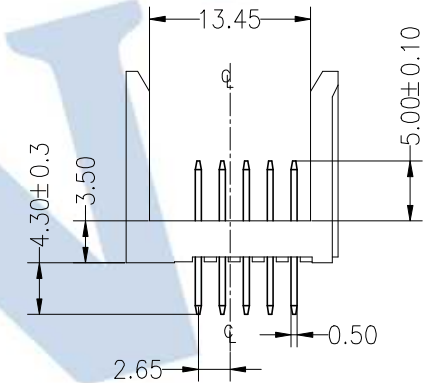
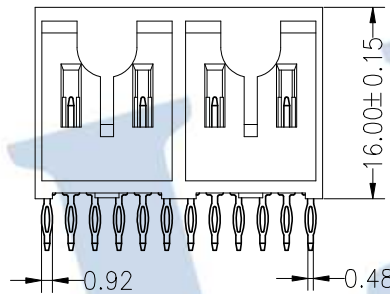
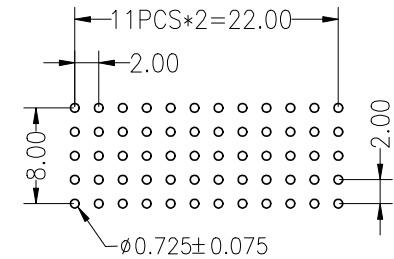
SPECIFICATIONS

Rated Current:1.0AMP
 Contact Resistance:30mΩ Max
 Withstand Voltage:500V AC/DC
 Insulation Resistance:1000MΩ Min
 Operation Temperature:-40°C to +105°C

Contact Material:Brass
 Contact Plating:Au or Sn Over Ni
 Insulator Material:Polyester(UL94V-0)
 Resistance To Soldering Heat:
 260° C±5° C, 10s(LCP insulator)



Recommended P.C.B Layout(Top Side)
 (PCB BOARD TOLERANCE±0.05)



Ordering Information

3510 5 60 A M S XX PW X X

No.of Pins
5x12P

Contact Type
F:Female
M:Male

Contact Plating
G0:Gold Flash
S0:Gold Flash/Tin
S1:2U" Gold/Tin
S2:5U" Gold/Tin
S3:10U" Gold/Tin
S4:15U" Gold/Tin
S5:30U" Gold/Tin
SN:Tin

Packing
A:Tray
T:Tube

				OPERATION		DRAW	YiYuSheng	19.10.10	SCALE	FIT
				X.X	±0.30				UNIT	mm
				X.XX	±0.20	CHECK			SIZE	A4
A0	2019.10.10	NEW DRAWING		X.XXX	±0.10				SHEET	1/1
REV	DATE	MODIFICATION DESCRIPTION		CHANGE		APPROVE			PROJ.	◆

JILN® 深圳市锦凌电子有限公司
 SHENZHEN JINLING ELECTRONICS CO.,LTD

Tel: 86-755-27483253 Fax: 86-755-2997-5588

PART NO. 3510560AMSXXPNXX

TITLE: FUTURE BUS,5*12 Male 180°,PRESS-FIT