

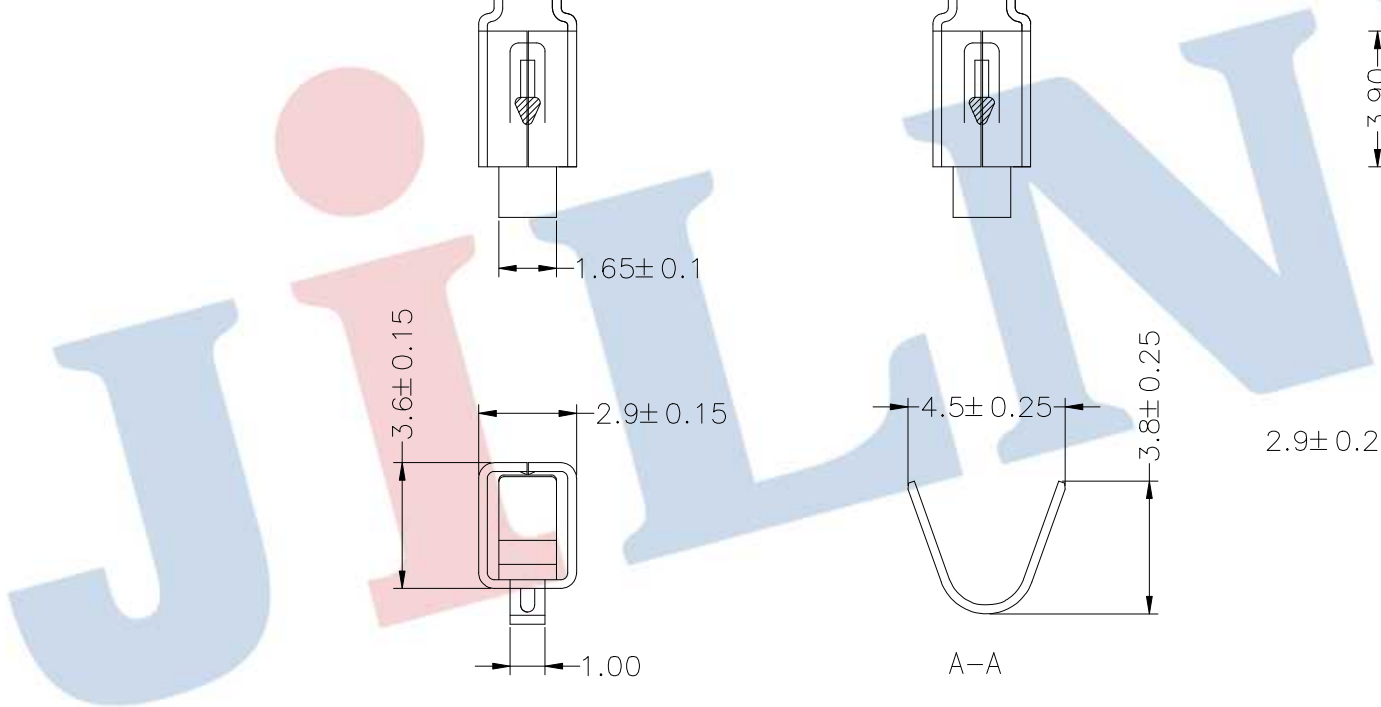
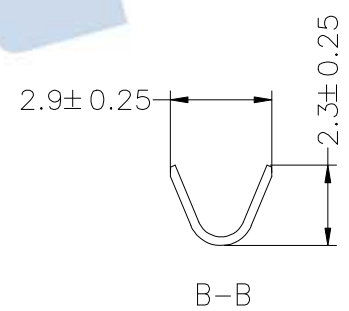
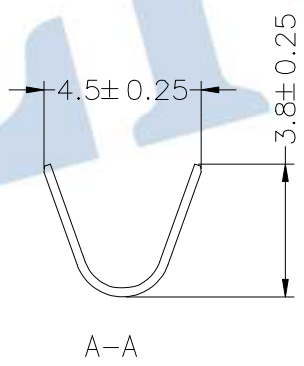
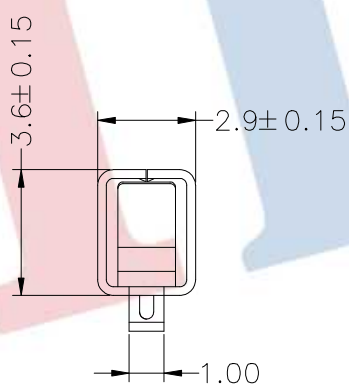
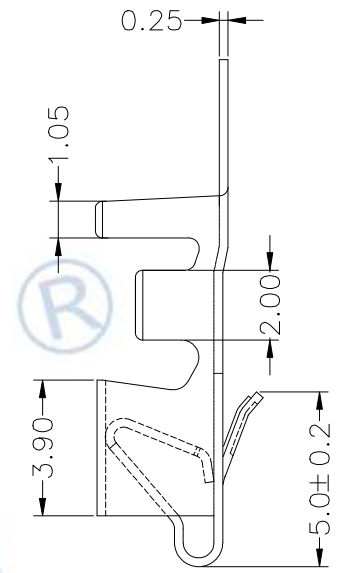
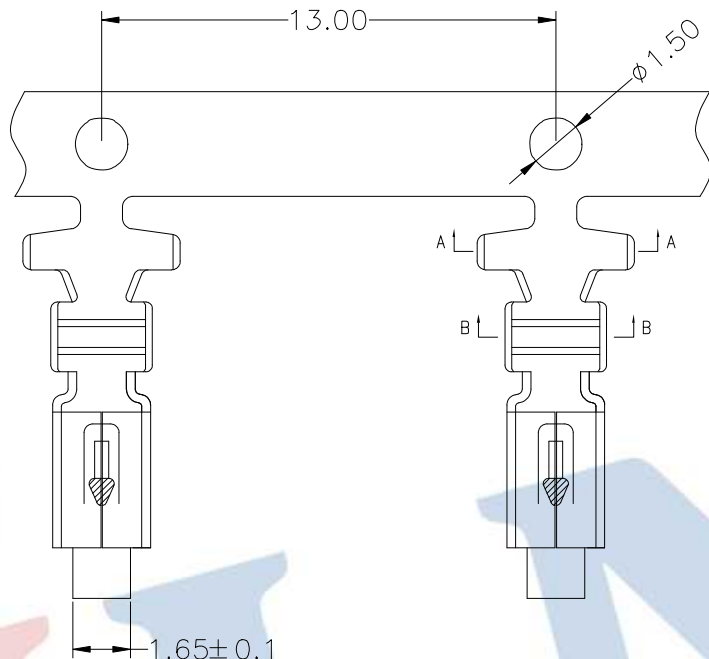
HSF RoHS

Notes:

1.Material: Phosphor Bronze

2.Finish: Tin-plating

3.Wire range: AWG#18~ #22



| | | | | | | | | | | | | |
|-----|------------|--------------------------|--------|-----------|-------|---------|---------|----------|---------------|-----|--|--|
| | | | | OPERATION | | DRAW | ChenWei | 21.05.12 | SCALE | FIT | JILN ® 深圳市锦凌电子有限公司 SHENZHEN JINLING ELECTRONIC CO.,LTD Tel: 86-755-2997-5806/5802 Fax: 86-755-2997-5992 | |
| | | | | X.X | ±0.30 | | | | | | | |
| | | | | X.XX | ±0.20 | APPROVE | SIZE | A4 | | | | |
| | | | | X.XXX | ±0.10 | | SHEET | 1/1 | | | | |
| A0 | 2021.05.12 | NEW DRAWING | | Angle | ±3° | PROJ. | | PART NO. | JL6352T-PSN01 | | | |
| REV | DATE | MODIFICATION DESCRIPTION | CHANGE | DIM | TOL | | | TITLE: | A型法那科电机连接器端子 | | | |