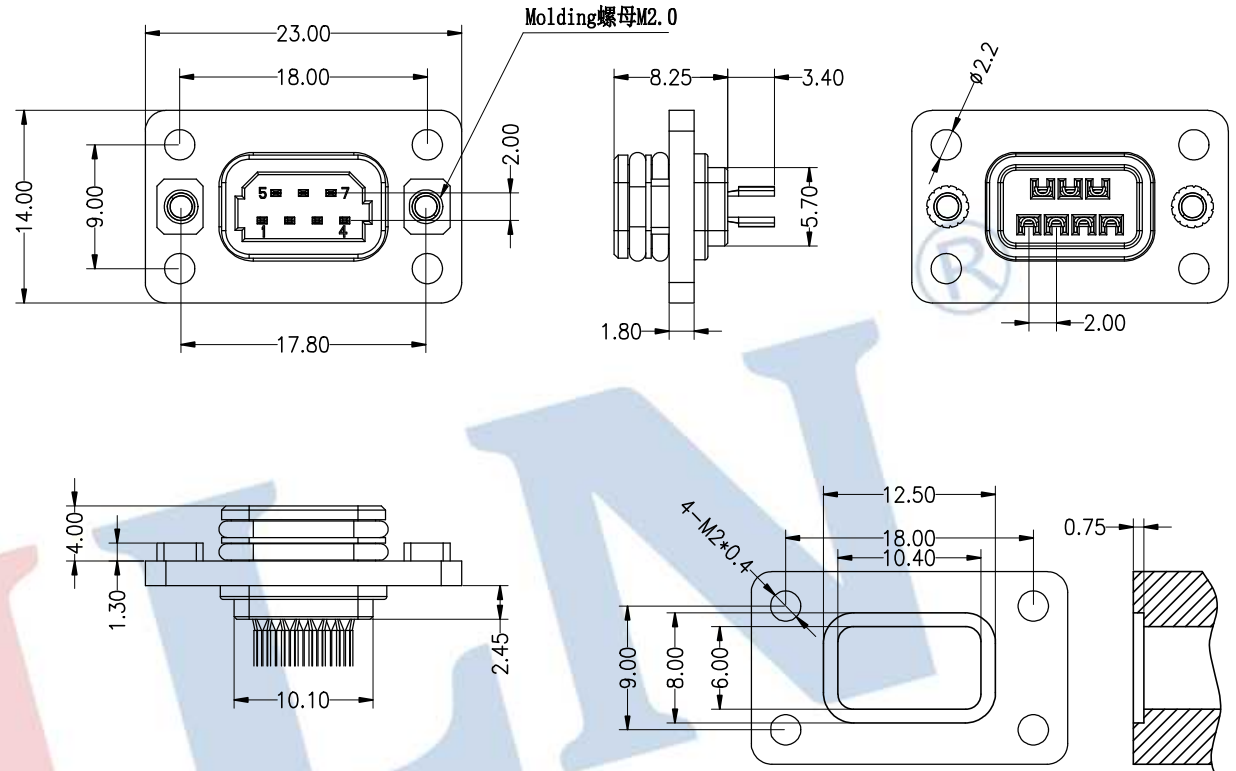


HSF RoHS

Note:

Current Rating: 1A max.
 Voltage Rating: 100 VAC.
 Insulation Resistance: >1000 MΩ at @500VDC
 Withstand Voltage: 500VAC for 1 minute
 Contact Resistance: 10 MΩ MAX
 Operation Temperature: -40°C to +125°C
 Solder Temperature: 255~265°C for 5~10sec.

Contact Material: Copper Alloy
 Contact Plating: Au or Sn Over Ni
 Insulator Material: Synthetic Resin (UL94V-0) Black



MOUNTING LAYOUT REF.

NO	NAME	Q'TY	MATERIAL	DESCRIPTION	REMARKS
1	NUT	2	COPPER ALLOY	NATURAL COLOR	M2*0.4
2	HOUSING	1	SYNTHETIC RESIN	BLACK	
3	CONTACT	7	COPPER ALLOY	PLATING GOLD	
4	SOCKET SEALING	2	SYNTHETIC RUBBER	GREEN	
5	SEALING	1	SYNTHETIC RUBBER	YELLOW	

				OPERATION		DRAW	Tim Chu	2021.09.20	SCALE	FIT	JILN ® 深圳市锦凌电子有限公司 SHENZHEN JINLING ELECTRONICS CO.,LTD Tel: 86-755-27483253 Fax: 86-755-2997-5992	
				X.X	±0.30							
				X.XX	±0.20	APPROVE <td rowspan="2">Wang Wei <td rowspan="2">2021.09.20</td> <td>SIZE</td> <td>A4</td> <td>PART NO.</td> <td>6353-07BS1NA03</td> </td>	Wang Wei <td rowspan="2">2021.09.20</td> <td>SIZE</td> <td>A4</td> <td>PART NO.</td> <td>6353-07BS1NA03</td>	2021.09.20	SIZE	A4	PART NO.	6353-07BS1NA03
				X.XXX	±0.10				SHEET	1/2	TITLE:	伺服电机编码器焊线式底座7Pin连接器/防呆型 /不带线
A0	2021.09.20	NEW DRAWING		Angle	±3°							
REV	DATE	MODIFICATION DESCRIPTION		DIM	TOL							