

NOTE:

Physical

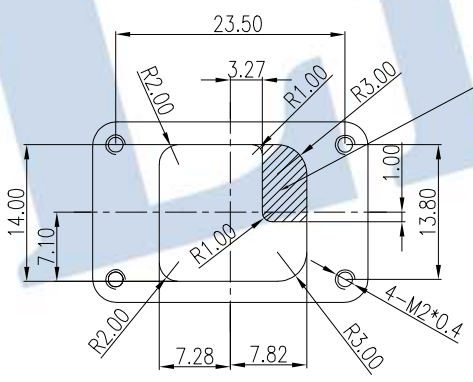
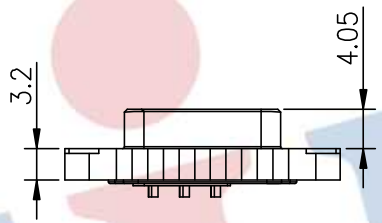
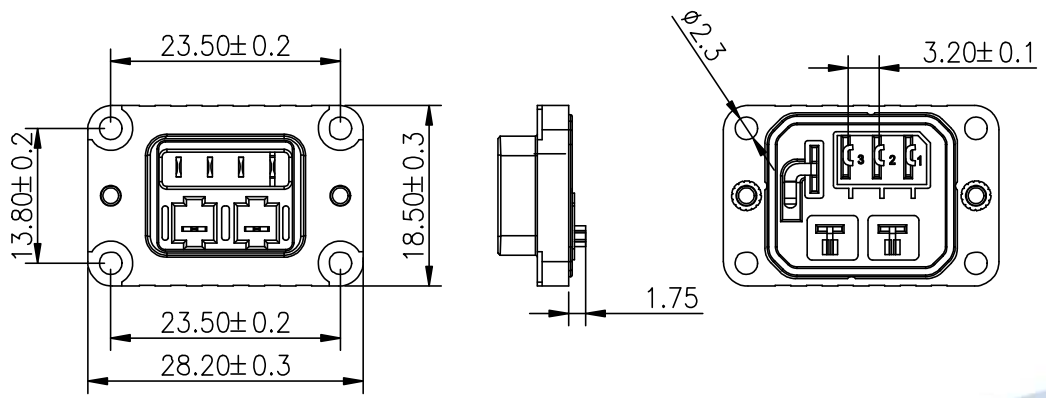
- 1. Insulation Material: Synthetic Resin UL94V-0  
Color: Black
- 2. Contact Material: Copper Alloy  
Plating: Nickel For all  
Contact Area: Gold  
Termination Area: Glod flash

Electrical

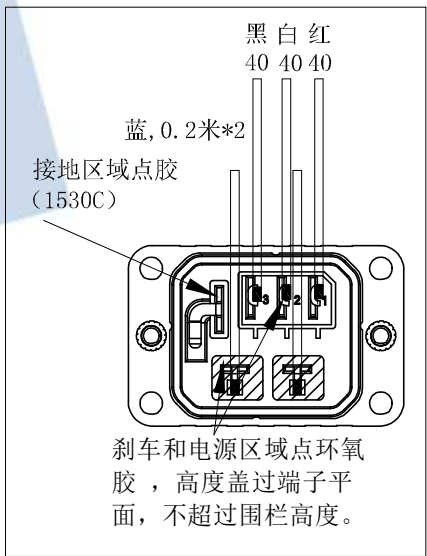
- 1. Current Rating: Power contact 7A max.  
Brake contact 1A max.
- 2. Voltage Rating: Power contact 200 VAC.  
Brake contact 100 VAC.
- 3. Insulation Resistance: >1000 MΩ at @500VDC
- 4. Withstanding Voltage: 1500VAC for 1 minute
- 5. Contact Resistance: 10 mΩ MAX

Environmental

- 1. Operating Temperature: -40°C to +105°C
- 2. Solder Temperature: 255~265°C for 5~10 sec.
- 3. Brake contact: AWG#26 to AWG#22  
Coated outer dia: 1.1 to 1.4 dia



接地位置说明:  
此区域去除表面,  
深度0.1±0.05。



MATERIAL:

NO	NAME	Q'TY	MATERIAL	DESCRIPTION
1	SEALING	1	SYNTHETIC RUBBER	GREEN
2	HOUSING	1	SYNTHETIC RESIN	BLACK
3	NUT(M2*0.4)	2	COPPER ALLOY	NATURAL COLOR
4	GROUND CONTACT	1	COPPER ALLOY	PLATING GOLD
5	BRAKE CONTACT	2	COPPER ALLOY	PLATING GOLD
6	SEALING	1	SYNTHETIC RUBBER	GREEN
7	POWER CONTACT	3	COPPER ALLOY	PLATING GOLD

mounting dimensions

A0	DATE	MODIFICATION DESCRIPTION	CHANGE	OPERATION		DRAW	Tim Chu	2022.11.15	SCALE	FIT
				DIM	TOL					
				X.X	±0.30				UNIT	mm
				X.XX	±0.20	CHECK	Ou Yang	2022.11.15	SIZE	A4
				X.XXX	±0.10				SHEET	1/2
				Angle	±3°	APPROVE	Wang Wei	2022.11.15	PROJ.	◆

**JILN**® 深圳市锦凌电子有限公司  
SHENZHEN JINLING ELECTRONIC CO.,LTD  
Tel: 86-755-2997-5806/5802 Fax: 86-755-2997-5992

PART NO.	6353C-06B-AB-W00
TITLE:	伺服电机动动力焊线式/小型/斜出口 4+2Pin插座连接器/带线/带刹车线