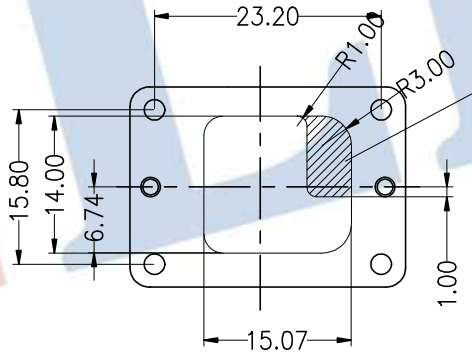
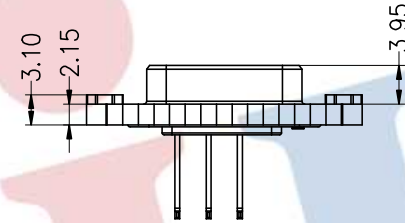
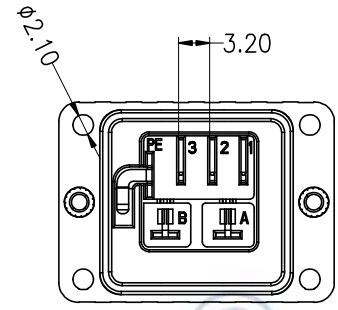
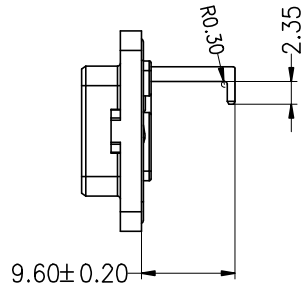
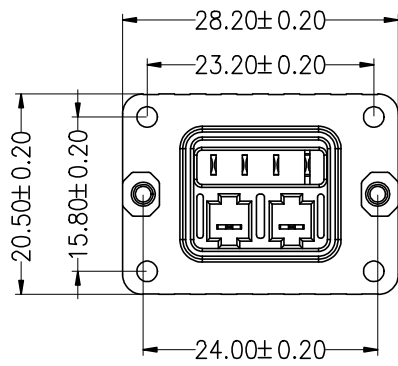
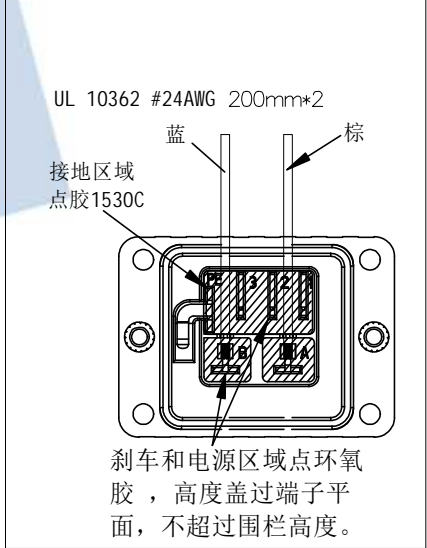


NOTE:  
Physical  
 1.Insulation Material:Synthetic Resin UL94V-0  
 Color:Black  
 2.Contact Material:Copper Alloy  
 Plating: Nickel For all  
 Contact Area:Gold  
 Termination Area:Glod flash  
Electrical  
 1.Current Rating: Power contact 7A max.  
 Brake contact 1A max.  
 2.Voltage Rating: Power contact 200 VAC.  
 Brake contact 100 VAC.  
 3.Insulation Resistance:>1000 MΩ at @500VDC  
 4.Withstanding Voltage:1500VAC for 1 minute  
 5.Contact Resistance:10 mΩ MAX  
Environmental  
 1.Operating Temperature:-40°C to +105°C  
 2.Solder Temperature: 255~265°C for 5~10 sec.  
 3.Brake contact: AWG#26 to AWG#22  
 Coated outer dia:1.1 to 1.4 dia



接地位置说明:  
 此区域去除表面,  
 深度0.1±0.05。



MATERIAL:

NO	NAME	Q'TY	MATERIAL	DESCRIPTION
1	SEALING	1	SYNTHETIC RUBBER	GREEN
2	HOUSING	1	SYNTHETIC RESIN	BLACK
3	NUT(M2*0.4)	2	COPPER ALLOY	NATURAL COLOR
4	GROUND CONTACT	1	COPPER ALLOY	PLATING GOLD
5	BRAKE CONTACT	2	COPPER ALLOY	PLATING GOLD
6	SEALING	1	SYNTHETIC RUBBER	GREEN
7	POWER CONTACT	3	COPPER ALLOY	PLATING GOLD

mounting dimensions

OPERATION		DRAW	Tim Chu	2022.06.20	SCALE	FIT
X.X	±0.30					
X.XX	±0.20	CHECK	Ou Yang	2022.06.20	UNIT	mm
X.XXX	±0.10					
Angle	±3°	APPROVE	Wang Wei	2022.06.20	SIZE	A4
DIM	TOL					
					SHEET	1/2
					PROJ.	TITILE:

**JILN** 深圳市锦凌电子有限公司  
 SHENZHEN JINLING ELECTRONICS CO.,LTD  
 Tel: 86-755-27483253 Fax: 86-755-2997-5588

REV	DATE	MODIFICATION DESCRIPTION	CHANGE
A0	2022.06.20	NEW DRAWING	

PART NO. 6353C-06B-AE-W10  
 TITILE: JM20伺服电机动力勾板型底座4+2P/  
 小型直口/带线L200mm