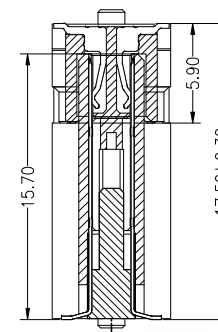
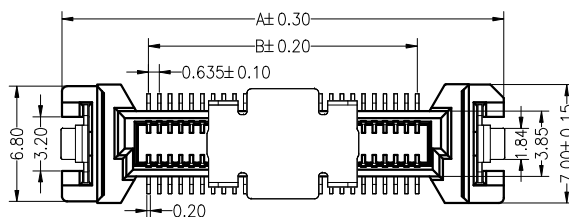


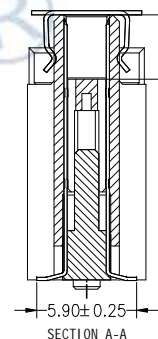
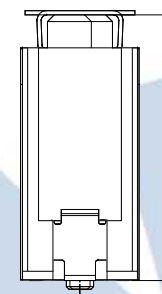
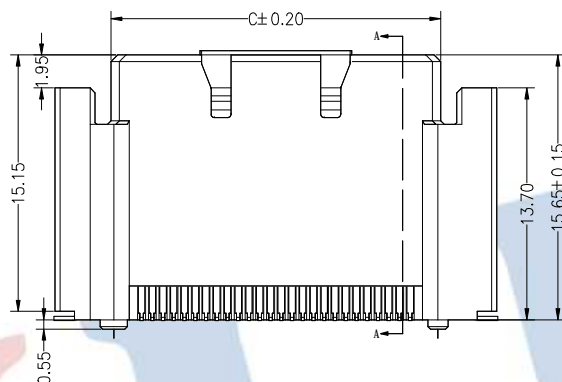
HSF RoHS

**SPECIFICATIONS
PERFORMANCE**

Electical Rating: AC/DC 50V 0.5A
 Insulation Resistance: 500MΩ
 Withstang Volt: 200V AC/minute
 Opratng Temperature: -40°C to +105°C
 Material
 Contact: Phosphor Bronze
 Plating: Au or Sn Over Ni
 Housing: LCP
 Max.Processing Temp: 260°C±5° 5S



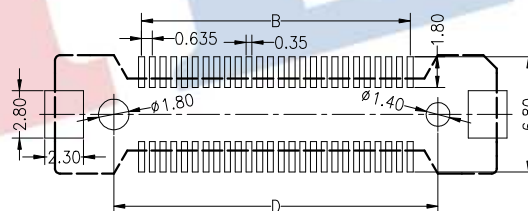
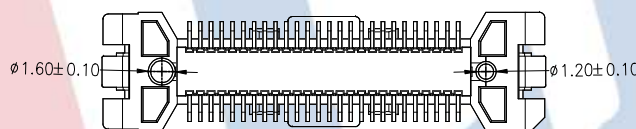
MATING DRAWING(REF.)



Ordering Information

3722 F XXX 157 XX X X 0X

F=Female
 M=Male
 No.of pins
 30,40,
 50,52P
 Plastic Hight
 157=15.7mm
 Contact Plating
 G0:Gold Flash
 G1:3U" Gold
 G2:5U" Gold
 G3:10U" Gold
 G4:15U" Gold
 S0:1.5U" Gold/Tin
 S1:3U" Gold/Tin
 Insulator
 Material
 Option
 D=BK-PA46
 E=BK-PA9T
 F=BK-LCP
 Packing
 T:Tube
 R:Reel



P.C.B Layout

No Of Pins	Dimensions (mm)			
	A	B	C	D
30	19.12	8.89	12.52	12.18
40	22.29	12.07	15.69	15.35
50	25.47	15.24	18.87	18.53
52	26.10	15.88	19.50	19.16

OPERATION		DRAW	Jelly Feng	2022.12.17
X.X	±0.30			
X.XX	±0.20	CHECK		
X.XXX	±0.10			
Angle	±3°	APPROVE		
DIM	TOL			

SCALE	FIT
UNIT	mm
SIZE	A4
SHEET	1/1
PROJ.	⊕

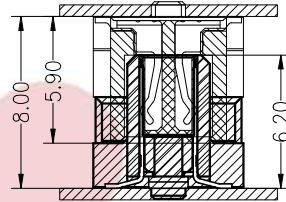
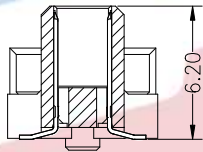
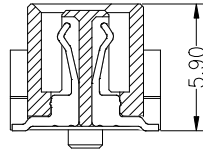
JILN 深圳市锦凌电子有限公司
 SHENZHEN JINLING ELECTRONICS CO.,LTD
 Tel: 86-755-27483253 Fax: 86-755-2997-5588

A0	2022.12.17	NEW DRAWING	
REV	DATE	MODIFICATION DESCRIPTION	CHANGE
1	2	3	4

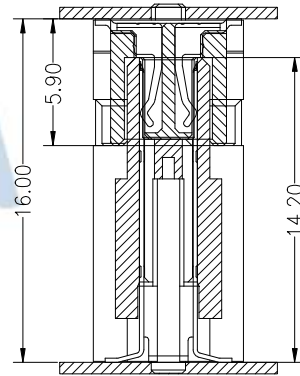
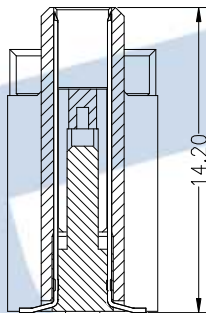
PART NO.	3722FXXX157XXX0X
TITLE:	0.635mm BTB NPin H15.7 Female (PLC专用)

公座 (Male)

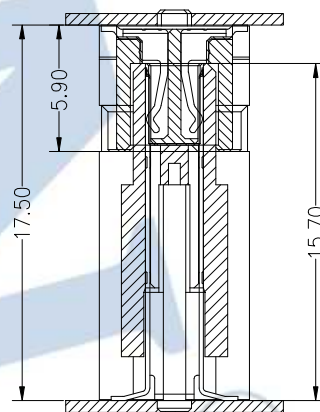
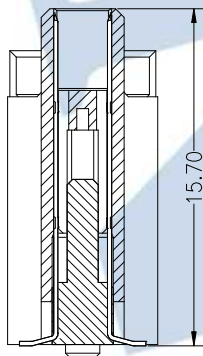
母座 (Female)



MATING DRAW REF



MATING DRAW REF



MATING DRAW REF

DRAW Jelly Feng 22.12.17

CHECK

APPROVE

SCALE FIL

UNIT mm

SIZE A4

SHEET 1/1

PROJ

JILN 深圳市锦凌电子有限公司
SHENZHEN JINLING ELECTRONICS CO.,LTD

Tel: 86-755-27483253 Fax: 86-755-2997-5588

PART NO 3722XXXXXXXXXXXX

TITLE 0.635mm BTB Mating Drawing (PLC专用)

1
2
3
4
5
6
7

1
2
3
4
5
6
7

8
A
REV

8
F

A B C D E F

A B C D E F