

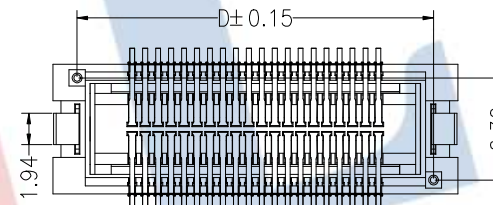
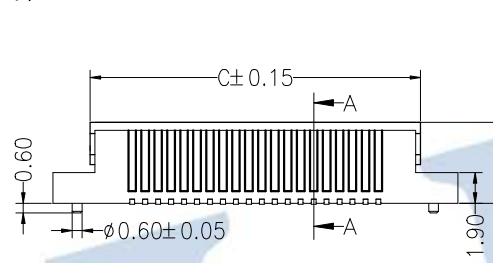
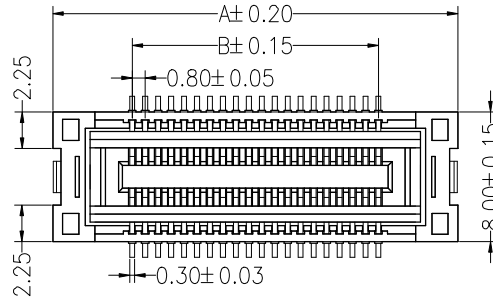
**HSF** RoHS

**SPECIFICATIONS**  
**PERFORMANCE**

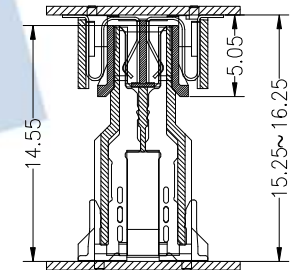
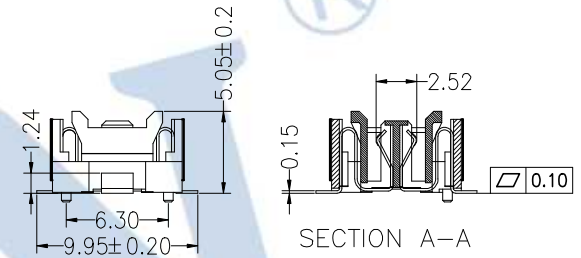
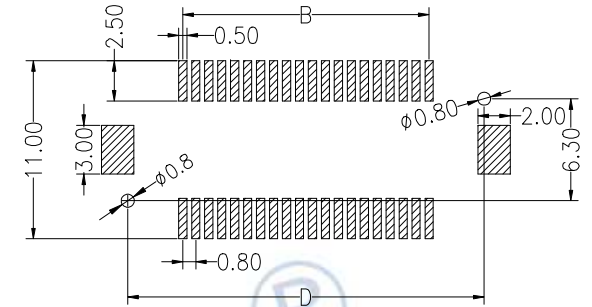
Electical Rating: AC/DC 50V 0.8A  
 Contact Resistance: 80mΩ Max  
 Insulation Resistance: 500MΩ Min  
 Withstang Volt: 500V AC/minute  
 Opratng Temperature: -40°C to +125°C

**Material**

Contact: Phosphor Bronze, Gold-Plated  
 Locating Plate: Phosphor Bronze, Sn Over Ni  
 Housing: LCP UL94V0  
 Max.Processing Temp: 260°C ± 5°C 5S



Recommended P.C.B Layout(Top Side)  
(PCB BOARD TOLERANCE ± 0.05)



**Ordering Information**

**3725 F XXX 050 XX X X OX**

F=Female  
M=Male  
No.of Pins  
NPin  
N=40,60  
Plastic Hight  
050=5.0mm  
Contact Plating  
G0:Gold Flash  
G1:3U" Gold  
G2:5U" Gold  
G3:10U" Gold  
G4:15U" Gold  
S0:1.5U" Gold/Tin  
S1:3U" Gold/Tin  
Insulator  
Material  
Option  
D=BK-PA46  
E=BK-PA9T  
F=BK-LCP  
Packing  
T:Tube  
R:Reel

Dimension Table				
No Of Pins	Dim A	Dim B	Dim C	Dim D
40	25.00	15.20	20.40	22.00
60	33.00	23.20	28.40	30.00

OPERATION		DRAW	Jelly Feng	2023.03.06	SCALE	FIT
X.X	± 0.30					
X.XX	± 0.20	CHECK			UNIT	mm
X.XXX	± 0.10				SIZE	A4
Angle	± 3°	APPROVE			SHEET	1/1
DIM	TOL				PROJ.	☛

**JILN** 深圳市锦凌电子有限公司  
 SHENZHEN JINLING ELECTRONICS CO.,LTD  
 Tel: 86-755-2997-5806/5802 Fax: 86-755-2997-5992

A0	2023.03.06	NEW DRAWING	CHANGE
REV	DATE	MODIFICATION DESCRIPTION	CHANGE
1			
2			
3			
4			

PART NO. 3725FXXX050XXXX0X  
 TITLE: 0.8mm 浮動式BTB NPin H5.0 Female