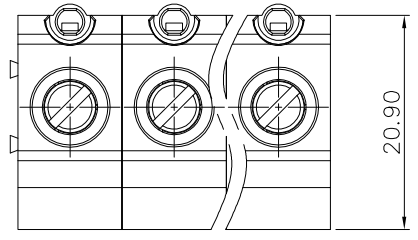


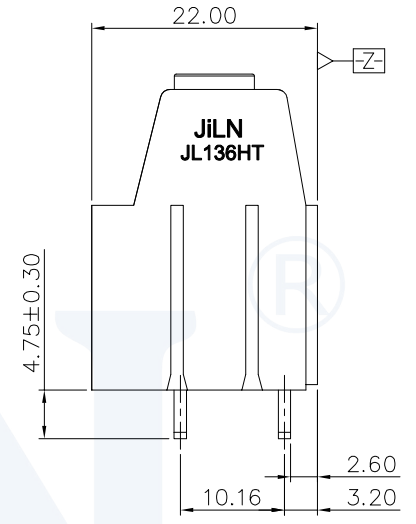
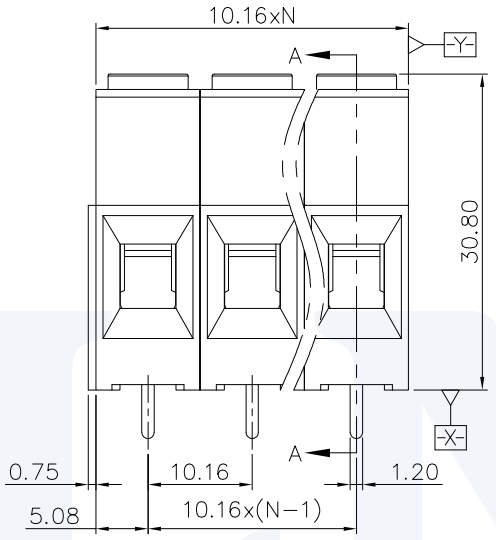
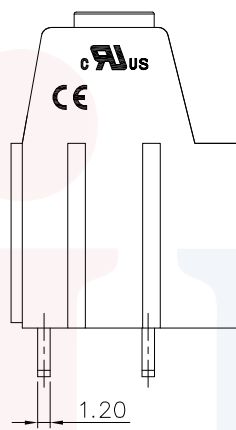
REVISION RECORD				
REV	ECN	DESCRIPTION	DRFT	DATE
A0		NEW		21.06.23

NOTES1:
 UL Standard
 1.Rated voltage/current : 300V / 60A
 2.Torque value : M4 , 10.53Lb.in
 3.Wire range : 20~6AWG
 IEC Standard
 1.Rated voltage/current : 1000V/65A
 2.Torque value : M4 , 1.2N·m
 3.Wire range : 2.5~16mm²



NOTES2:
 1.Dimension shall be interpreted per ASME Y14.5-2009
 2.Pitch : 10.16mm, Poles : N=01~12P
 3.Stripping length : 10~11mm
 4.Withstanding voltage : AC3500V/1Min
 5.Operating temperature: -40°C~+105°C
 6.Undimensioned tolerances:

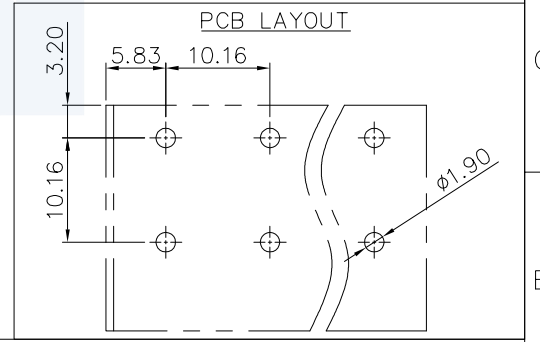
Pitch range in mm		Nominal dimension range in mm						
TO	Over	Over	Over	Over	Over	0.1/10		
6	10	10	30	60	100	<		
±0.15	±0.20	±0.30	±0.30	±0.50	±0.70	±1.00	±1.30	±2'



Ordering Information

JL136HT- 1016 XX G 0 1

Pitch 1016=10.16PH
 No.of pins 1P~12P
 Housing Color B=Black, G=Green, U=Blue, R=Red, W=White, Y=Yellow, O=Orange, E=Grey
 Packing 0=Pe bag, T=Tube, A=Tray



DRAW	SHUANGPING ZHENG	SCALE	FIT	JILN ® 东莞市锦凌电子有限公司 DONGGUAN JINLING ELECTRONIC CO.,LTD	
CHECK	LICHAD LIU	UNIT	mm		
APPROVE	YONGLIANG GAO	SIZE	A4		
		SHEET	1/1		
		PROJ.		PART NO.	JL136HT-1016XXG01
				TITLE:	JL136HT-10.16-XXP螺钉式/绿色/一字螺丝