

REVISION RECORD				
REV	ECN	DESCRIPTION	DRFT	DATE
A0		NEW		21.08.16

NOTES1:
 UL Standard
 1. Rated voltage/current : 300V / 20A
 3. Torque value : M2.5 , 3.5Lb.in
 4. Wire range : 30~12AWG

IEC Standard
 1. Rated voltage/current : 450V / 24A
 2. Torque value : M2.5 , 0.4N·m
 3. Wire range : 0.5~2.5mm²

NOTES2:
 1. Dimension shall be interpreted per ASME Y14.5-2009
 2. Pitch : 7.50mm, Poles : N=02~16P
 3. Stripping length : 12~13mm
 4. Withstanding voltage : AC2500V/1Min
 5. Operating temperature: -40°C~+105°C
 6. Undimensioned tolerances:

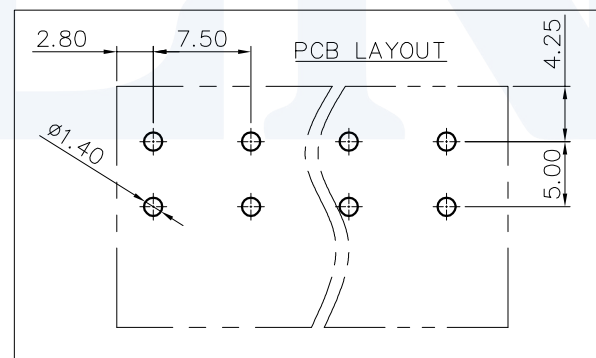
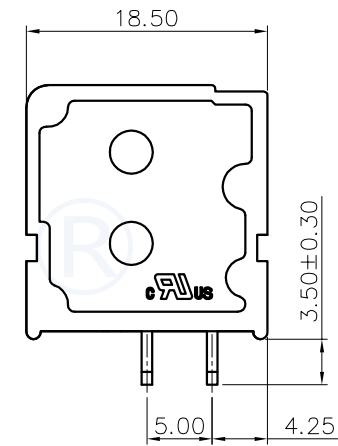
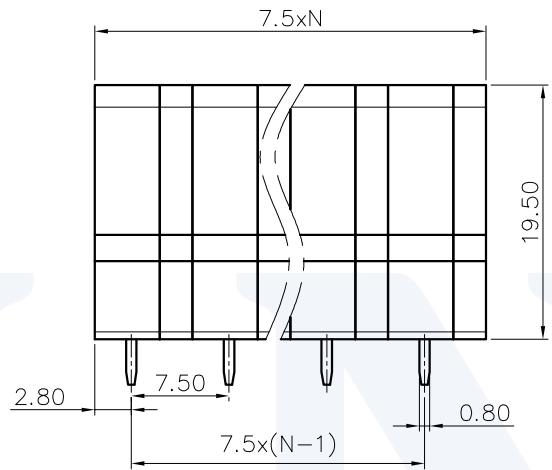
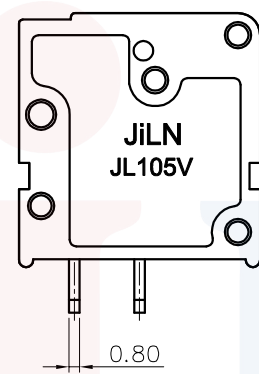
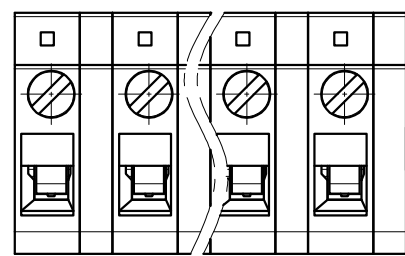
Pitch range in mm		Nominal dimension range in mm						-	∩	∇
TO	Over	TO	Over	TO	Over	TO	Over	0.1/10		
6	10	10	24	30	60	100	150			
±0.15	±0.20	±0.30	±0.30	±0.50	±0.70	±1.00	±1.30	±2'		

7. RoHS Compliance

Ordering Information

JL105V- 750 XX G 0 1

- Pitch 750=7.5PH
- No. of pins 2P~24P
- Housing Color
 B=Black
 G=Green
 U=Blue
 R=Red
 W=White
 Y=Yellow
 O=Orange
 E=Grey
- Packing
 0=Pe bag
 T=Tube
 A=Tray



DRAW	SHUANGPING ZHENG	SCALE	FIT	JiLN ® 东莞市锦凌电子有限公司 DONGGUAN JINLING ELECTRONIC CO.,LTD	
CHECK	LICHAD LIU	UNIT	mm		
APPROVE	YONGLIANG GAO	SIZE	A4	PART NO.	JL105V-750XXG01
		SHEET	1/1	TITLE:	JL105V-7.5-XXP 螺钉式/直脚/绿色
		PROJ.			