

REVISION RECORD				
REV	ECN	DESCRIPTION	DRFT	DATE
A0		NEW		21.04.13

NOTES1:

UL Standard

- 1.Rated voltage/current : 300V / 8A
- 2.Withstanding voltage : AC1600V/1Min.

IEC Standard

1.	Pollution degree	2	2	3
	Overvoltage category	II	III	III
	Rate impulse voltage(KV)	2.5KV	2.5KV	2.5KV
	Rate voltage(V)	320V	250V	160V
	Rate current(A)	7A		

NOTES2:

- 1.Dimension shall be interpreted per ASME Y14.5-2009
- 2.Pitch : 3.50mm, Poles : N=02~24P
- 3.Operating temperature: -40°C~+105°C
- 4.Undimensioned tolerances:

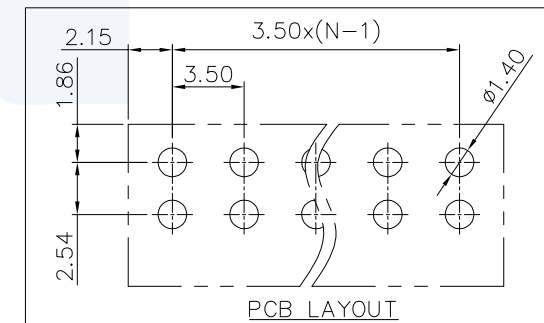
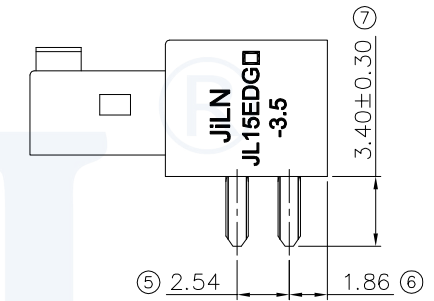
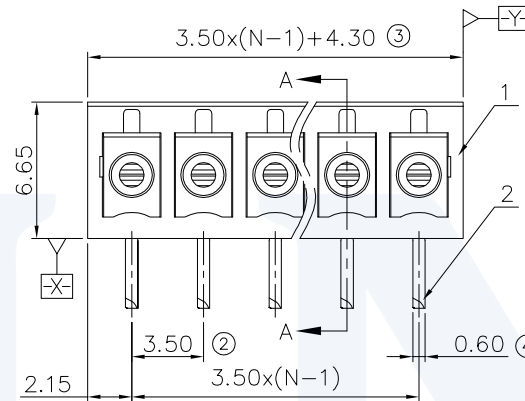
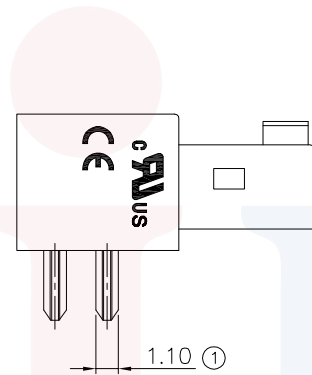
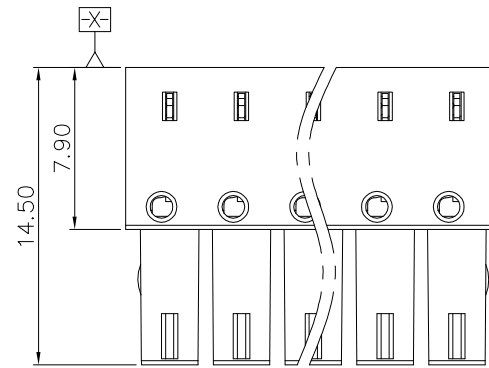
Pitch range in mm		Nominal dimension range in mm						-	∩	□
TO	Over	Over	Over	Over	Over	Over	0.1/10			
6	6 TO 10	10 TO 24	30 TO 30	30 TO 60	60 TO 100	100 TO 150				
±0.15	±0.20	±0.30	±0.30	±0.50	±0.70	±1.00	±1.30	±2'		

5.RoHS Compliance

Ordering Information

JL15EDGA - 350 XX G 0 1

- Pitch 350=3.50PH
- No.of pins 2P,3P,4P~24P
- Housing Color B=Black G=Green U=Blue R=Red W=White Y=Yellow O=Orange E=Grey
- Packing 0=Pe bag 1=Tube A=Tray



DRAW	SHUANGPING ZHENG	SCALE	FIT
CHECK	LICHAD LIU	UNIT	mm
APPROVE	YONGLIANG GAO	SIZE	A4
		SHEET	1/1
		PROJ.	☉

JILN 东莞市锦凌电子有限公司
DONGGUAN JINLING ELECTRONIC CO.,LTD

ITEM	NAME OF PART	MATERIAL	NOTES
2	Clamp	Copper alloy	Sn Plated
1	Housing	PA66	UL94V-0

PART NO.	JL15EDGA-350XXG01
TITLE:	JL15EDGA-3.50-XXP 插拔式母座 / 弯脚 / 绿色