

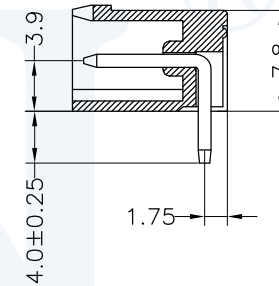
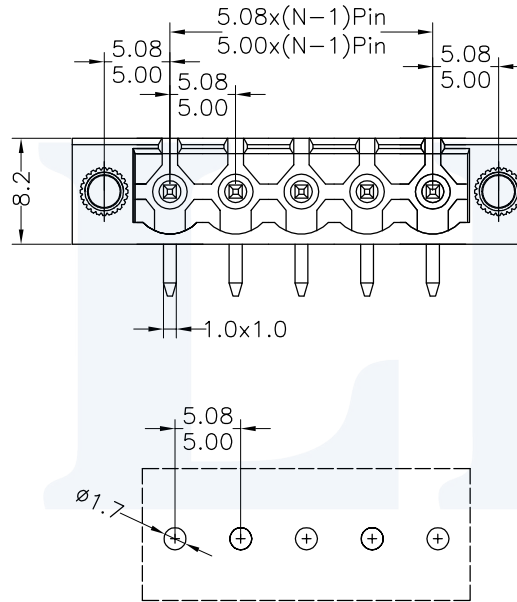
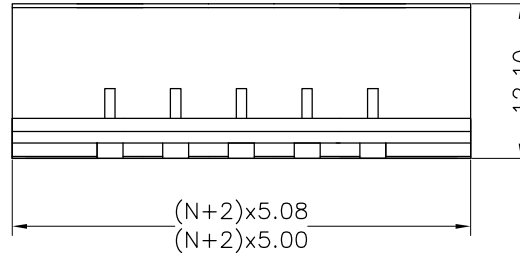
**HSF** RoHS

**SPECIFICATIONS**

Rated(额定参数): 300V,15A  
 Dielectric strength(抗电强度): AC2000V/1 Minute  
 Insulation Resistance(绝缘电阻):1000MΩ Min  
 Contact Resistance(接触电阻):20mΩ Max  
 Temp. range(操作温度): -40℃~+105℃  
 MAX Soldering(瞬时温度):+250℃,5s

Housing Material(塑件): PA66 (UL94 V-0)  
 Nut(螺母): Brass(黄铜)  
 Contact(端子): Brass, Tin plating(黄铜镀锡)

PITCH RANGE IN MM			NOMINAL DIMENSION RANGE IN MM				
TO	OVER	OVER	TO	OVER	OVER	OVER	OVER
6	6 TO 10	10 TO 24	30	30 TO 60	60 TO 100	100 TO 150	150
±0.10	±0.15	±0.25	±0.30	±0.30	±0.50	±0.70	±1.00



Recommended P.C.B Layout(Top Side)

**Ordering Information**

**JL2EDGRM - XXX XX G X 1**

Pitch  
500=5.00PH  
508=5.08PH

No. of pins  
2P~24P

Housing Color  
B=Black  
G=Green  
U=Blue  
R=Red  
W=White  
Y=Yellow  
O=Orange  
E=Grey

Packing  
0=Pe bag  
T=Tube  
A=Tray

OPERATION		DRAW	yiyusheng	18.12.24	SCALE	FIT
X.X	±0.30					
X.XX	±0.20	CHECK			UNIT	mm
X.XXX	±0.10					
Angle	±3°	APPROVE			SIZE	A4
DIM	TOL					
		SHEET			PROJ.	1/1

**JILN** 深圳市锦凌电子有限公司  
 SHENZHEN JINLING ELECTRONIC CO.,LTD  
 Tel: 86-755-2997-5806/5802 Fax: 86-755-2997-5992

A0	2018.12.24	NEW DRAWING	
REV	DATE	MODIFICATION DESCRIPTION	CHANGE

PART NO. JL2EDGRM-500(508)XXGX1  
 TITLE: 5.00/5.08mm Pitch Male Pluggable Terminal Blocks