

HSF RoHS

SPECIFICATIONS

Rated(额定参数): 300V,15A
 Dielectric strength(抗电强度): AC2500V/1 Minute
 Insulation Resistance(绝缘电阻):1000MΩ Min
 Contact Resistance(接触电阻):20mΩ Max
 Screw Torque(扭矩): 0.4Nm (3.5Lb.in)
 Wire Range(线径):12~28AWG
 Strip length(剥线长度):7~8mm
 Temp. range(操作温度): -40℃~+105℃
 MAX Soldering(瞬时温度):+260℃,5s

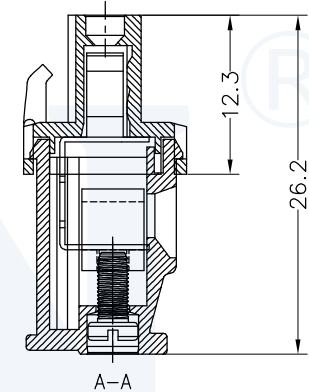
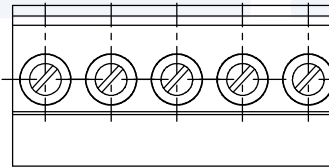
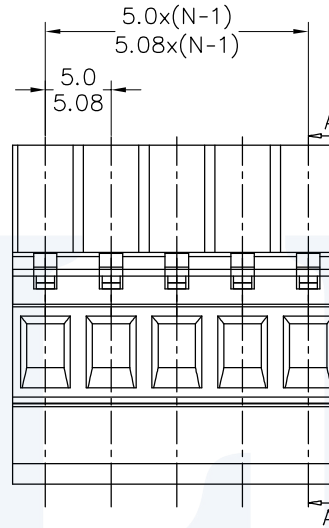
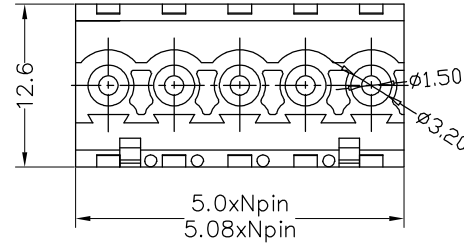
Housing Material(塑件): PA66 (UL94 V-0)
 Contact(端子): Phosphor Bronze, Tin plating(磷铜镀镍)
 Clamp(方块): Brass/Steel(铜/铁), Ni plating(镀镍)
 Screw (螺丝): M2.5, Steel, Zinc plating(钢, 镀锌)

PITCH RANGE IN MM			NOMINAL DIMENSION RANGE IN MM				
TO 6	OVER 6 TO 10	OVER 10 TO 24	TO 30	OVER 30 TO 60	OVER 60 TO 100	OVER 100 TO 150	OVER 150
±0.10	±0.15	±0.25	±0.30	±0.30	±0.50	±0.70	±1.00

Ordering Information

JL 2EDGKB - XXX XX X X 1

- Pitch
500=5.00PH
508=5.08PH
- No. of pins
2P, 3P, 4P~24P
- Housing Color
B=Black
G=Green
U=Blue
R=Red
W=White
Y=Yellow
O=Orange
E=Grey
- Packing
0=Pe bag
T=Tube
A=Tray



A	REV	DATE	MODIFICATION DESCRIPTION	CHANGE	OPERATION	DRAW	yiyusheng	20.05.20	SCALE	FIT	JILN 深圳市锦凌电子有限公司 SHENZHEN JINLING ELECTRONIC CO.,LTD Tel: 86-755-2997-5806/5802 Fax: 86-755-2997-5992	
					X.X ±0.30				CHECK	UNIT		mm
					X.XX ±0.20					SIZE		A4
					X.XXX ±0.10					SHEET		1/1
					Angle ±3°				APPROVE	PROJ.		
				DIM TOL				PART NO.	JL2EDGKB-XXXXXXX1			
								TITLE:	5.0/5.08 Pluggable Terminal Blocks			