

REVISION RECORD				
REV	ECN	DESCRIPTION	DRFT	DATE
A0		NEW		21.06.10

NOTES1:
 UL Standard
 1. Rated voltage/current : 300V / 15A
 2. Withstanding voltage : AC1600V/1Min.

IEC Standard

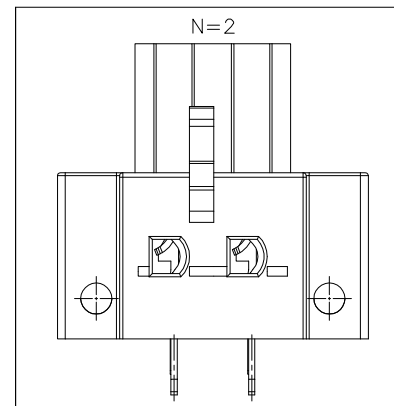
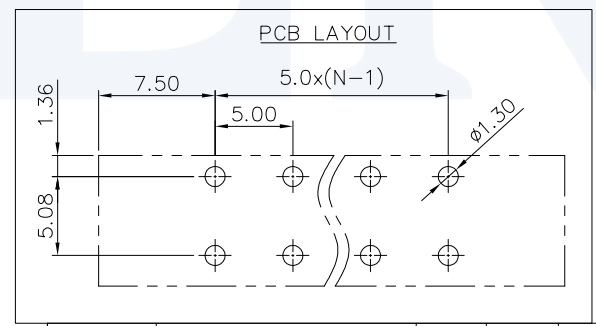
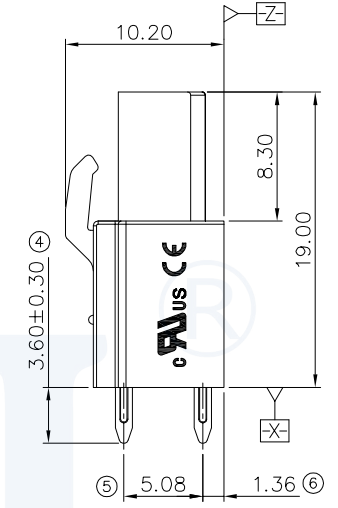
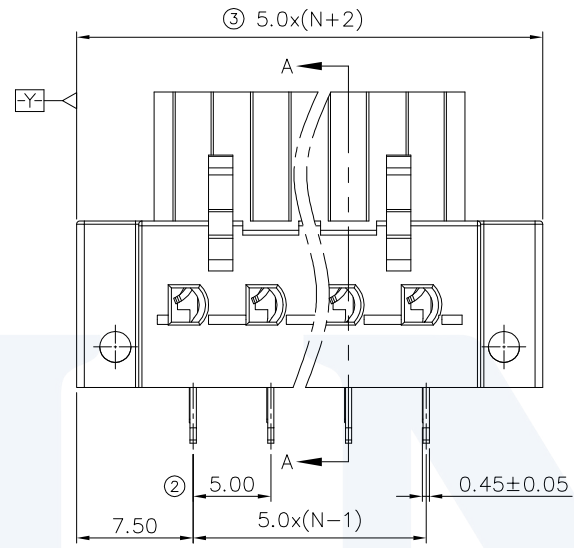
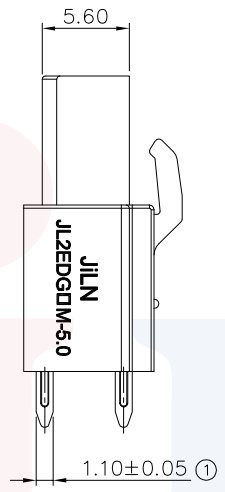
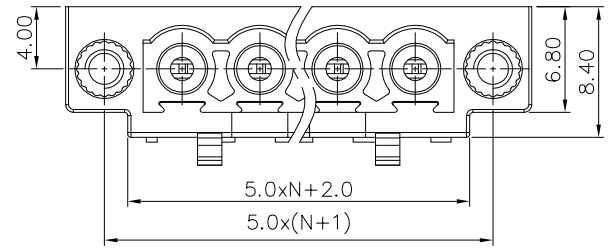
1.

Pollution degree	2	2	3
Overvoltage category	II	III	III
Rate impulse voltage(KV)	4KV	4KV	4KV
Rate voltage(V)	630V	320V	320V
Rate current(A)	20A		

NOTES2:
 1. Dimension shall be interpreted per ASME Y14.5-2009
 2. Pitch : 5.00mm, Poles : N=02~24P
 3. Operating temperature: -40°C~+105°C
 4. Undimensioned tolerances:

Pitch range in mm			Nominal dimension range in mm						0.1/10
TO	Over 6 TO	Over 10 TO	TO	Over 30 TO	Over 60 TO	Over 100 TO	Over 150 TO		
6	10	24	30	60	100	150		<	
±0.15	±0.20	±0.30	±0.30	±0.50	±0.70	±1.00	±1.30	±2'	

5. RoHS Compliance



Ordering Information

JL2EDGBM - 500 XX G 0 1

Pitch 500=5.00PH
 No. of pins 2P,3P,4P~12P
 Housing Color B=Black, G=Green, U=Blue, R=Red, W=White, Y=Yellow, □=Orange, E=Grey
 Packing 0=Pe bag, T=Tube, A=Tray

DRAW	SHUANGPING ZHENG	SCALE	FIT
CHECK	LICHAD LIU	UNIT	mm
APPROVE	YONGLIANG GAO	SIZE	A4
		SHEET	1/1
		PROJ.	

JILN 东莞市锦凌电子有限公司 DONGGUAN JINLING ELECTRONIC CO.,LTD	
PART NO.	JL2EDGBM-500XXG01
TITLE:	JL2EDGBM-5.0-XXP插拔式母座/直角/绿色/带耳